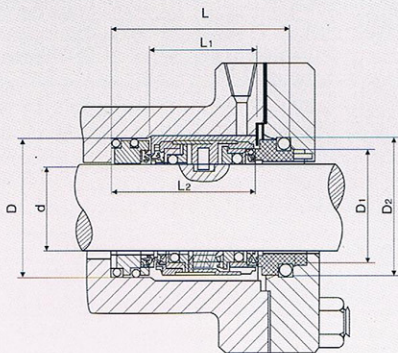


224 型机械密封



简介

说明：弱酸、弱碱液体。

本产品需要有冷动冲洗并尽快流通，根据工况条件可选取合理的摩擦副。在ISO2858化工泵配套使用中，能长时间稳定可靠工作。

Weak acid and weak base liquid.

This product is required for cool rinsing with rapid flowing.

Select reasonable friction disc as per work condition, and is to run soundly for long time in ISO2858 chemical pump.

运行参数

最大压力：0~0.8MPa

Pressure: 0~0.8MPa

温度：-20~+150℃

Temperature: -20~+150℃

最大转速：3000r/min

Linear speed: 3000r/min

型式特点

双端面、小弹簧、传动套传动、非平衡型、耐腐蚀机械密封。

Double end faces, small spring and driving sleeve to drive, non balance type, machinery seal with antierosion.

d	D	D ₁	D ₂	L	L ₁	L ₂
35	51	44	50	87	54	74
40	60	50	58	99	62	86
45	65	55	63	99	62	86
50	70	62	70	99	62	86
55	75	67	75	105	62	86
60	85	72	80	105	62	90
65	89	77	85	105	62	90
70	95	84	92	105	63	90
75	102	87	97	105	63	88
80	107	95	105	105	63	88
85	112	100	110	105	63	88